

DW® Universal HD over Coax® LPR cameras

LPR
License Plate Recognition

DWC-LPR650U



WHAT'S IN THE BOX

Manual		1	Screws and plastic anchors - 4pcs		1 set
Mounting template		1	Hex Allen wrench		1
Test video cable		1	DC plug cable		1

NOTE: Download all your support materials and tools in one place.

- Go to: <http://www.digital-watchdog.com/resources>.
- Search your product by entering the part number in the 'Search by Product' search bar. Results for applicable part numbers will populate automatically based on the part number you enter.
- Click 'Search'. All supported materials, including manuals and quick start guide (QSGs) will appear in the results.



Attention: This document is intended to serve as a quick reference for initial set up. It is recommended that the user read the entire instruction manual for complete and proper installation and usage.

STEP 1 - PREPARING TO MOUNT THE CAMERA

- The mounting surface must withstand five times the camera weight.
- Do not let the cables get caught in improper places or the electric line cover can be damaged. This may cause a short or fire.
- Using the mounting template sheet or the camera itself, mark and drill the necessary holes in the wall or ceiling.

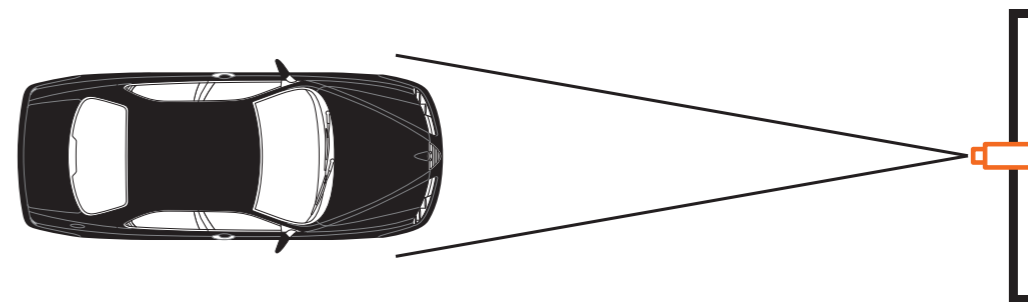
STEP 2 - CABLING THE CAMERA TO EXTERNAL DEVICES

Pass the wires through the mount bracket and make all necessary connections. Connect the BNC cable and power cables to the camera.

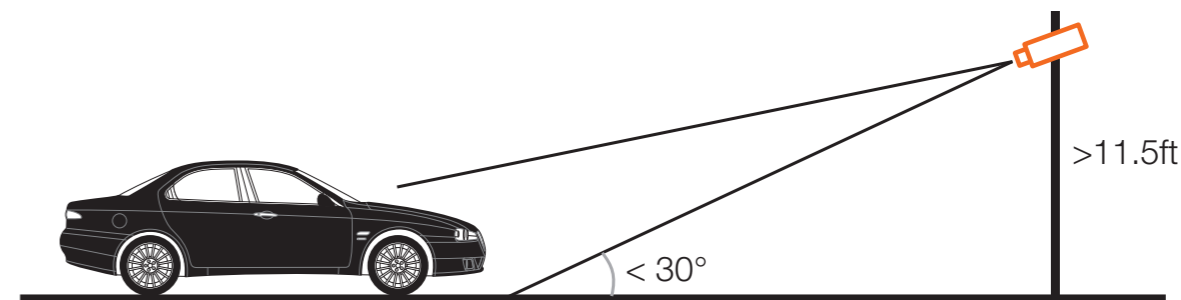
Power requirements	Power consumption
DC12V/AC24V dual voltage	DC12V (LED on): 6.12W AC24V (LED on): 5.7W

STEP 3 - MOUNTING AN LPR CAMERA

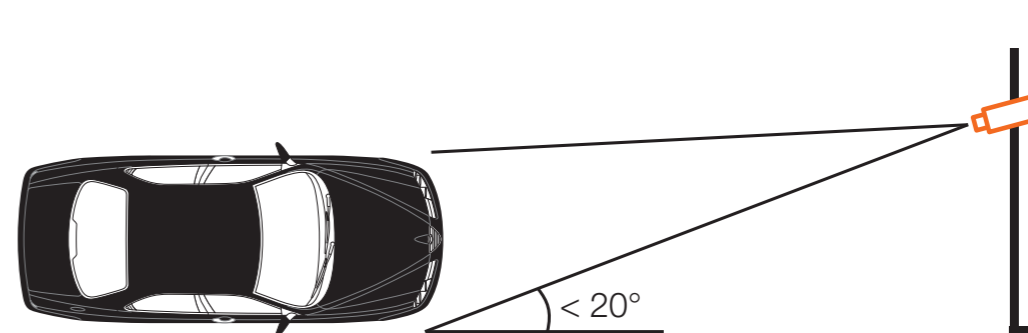
THE CAPTURED IMAGE SHOULD BE FILLED WITH THE FULL WIDTH OF THE VEHICLES



THE CAMERA SHOULD BE MOUNTED AT AN ANGLE NO GREATER THAN 30 DEGREES

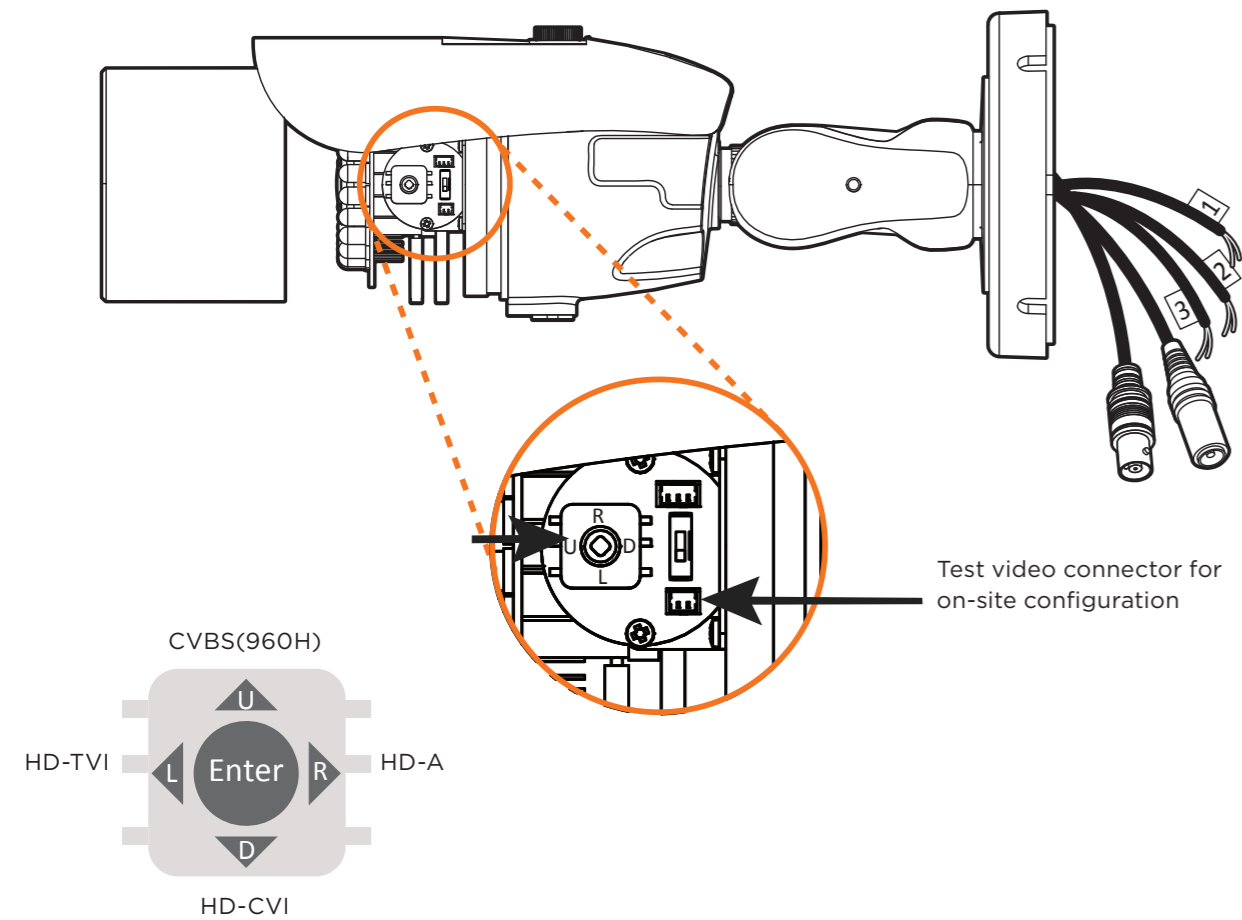


CAMERA ANGLE NO GREATER THAN 20 DEGREES FOR SIDE MOUNT INSTALLATIONS



STEP 4 - CHANGING THE SIGNAL IN THE CAMERA

1. The camera supports HD-Analog, HD-CVI and HD-TVI signals. To switch between the signals:
 - a. Remove the camera's dome to access the joystick and OSD control on the base of the camera.
 - b. Use the OSD Switch to switch the camera's signal.
 - To switch the camera to HD-TVI mode, press OSD joystick to the left for 5 seconds.
 - To switch the camera to HD-Analog mode, press OSD joystick to the right for 5 seconds.
 - To switch the camera to CVBS mode, press OSD joystick up for 5 seconds.
 - To switch the camera to HD- CVI mode, press OSD joystick down for 5 seconds.



STEP 5 - INSTALLING THE CAMERA

1. Once all cables have been connected, use the screws included with the camera to properly mount and secure the camera to the mounting surface.
2. To adjust the camera's tilt, loosen the screws at the base of the camera's bracket. The camera's max angles are:
 - Pan: 0°- 360°
 - Tilt: 0°- 90°
3. To adjust the camera's focus and zoom:
 - a. Remove the sun-shield and front case from the camera.
 - b. Unlock the zoom or focus screws by rotating them counterclockwise.
 - c. Adjust the zoom and focus screws at the base of the camera module to achieve a clear image.
 - d. Tighten the screws and close the front case by rotating it clockwise.

