

Blackjack[®] CUBE

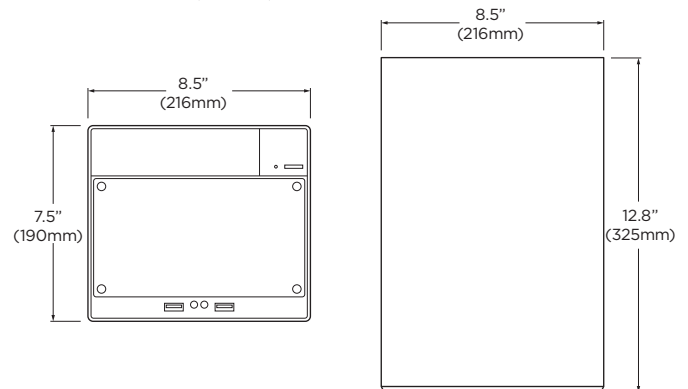
Servers Powered by DW Spectrum[®] IPVMS

HD IP Video Management Solution Blackjack[®] CUBE™ LX / DW-BJCUBE-LX



Dimensions

Unit: inch (mm)



Summary

The Blackjack[®] CUBE™ LX can record and manage up to 16 2.1MP Cameras at 30fps, 80Mbps throughput. The hardware includes DVI-D/DVI-I outputs, Linux[®] Ubuntu[®] OS, and dual network card. The NVR is ONVIF conformant and is available with 2-18TB HDD and 5 year limited warranty.

Features

- Supports all ONVIF conformant IP cameras
- Record up to 16 IP cameras with total throughput up to 80Mbps
- Storage options 2-18TB internal storage
- DVI-D or true HD video output
- Dual network ports
- USB interface
- Linux[®] Ubuntu[®] 16.04 OS on separate SSD
- Hosting DW Spectrum[®] IPVMS for setup, configuration, monitoring and recording
- One-time recording license charge, fully transferable between cameras and encoders
- No annual maintenance fees
- Simple enterprise scalability
- Auto device discovery
- Dual stream recording
- 5 year limited warranty

Available Models

- DW-BJCUBE2T-LX - 2TB storage.
- DW-BJCUBE4T-LX - 4TB storage.
- DW-BJCUBE6T-LX - 6TB storage.
- DW-BJCUBE9T-LX - 9TB storage.
- DW-BJCUBE12T-LX - 12TB storage.
- DW-BJCUBE18T-LX - 18TB storage.

Specifications



MODEL	BLACKJACK CUBE LX	
Maximum IP cameras	16	
Included IP licenses	4	
Form factor	Desktop	
Operating system	Linux [®] Ubuntu [®] 16.04	
CPU	Intel [®] i3 [®] processor	
Memory	8GB	
NIC	2x gigabit Ethernet (RJ45)	
System	Max video storage rate (Mbps)	80 Mbps
	Maximum hard drives	3 x SATA HDD
Storage	Maximum storage	18TB
	Outputs	DVI-D or true HD output
Video-out	Resolution	HD 1080p
	Pre-loaded VMS software	DW Spectrum [®] IPVMS
Unlimited remote clients	Cross Platform - Windows [®] , Linux [®] and Mac [®]	
Mobile apps	iOS [®] and Android [®]	
DW Spectrum [®] IP video management software	"The Grid" flexible user interface with unlimited layouts	
	Seamless transition from live to recorded video	
	Unique interactive timeline with built in smart, thumbnail and calendar search	
Keyboard & mouse	Included	
Power	300W**	
Voltage	AC input: 100-240Vac 6-3A 60-50Hz	
	DC output: +12V1 16A +12V2 16A +5V 15A +3.3V 12A +5Vsb 2A -12V 0.3A	
Humidity	5-40 °C / 20-90% RH	
Dimension (WxDxH) (inches)	8.5" x 12.8" x 7.5" (215.9 x 325.1 x 190.5 mm)	
Warranty	5 year limited	

* Available at time of initial order only / ** UPS recommended

